

## 10/12 meter band enabling modification

*Commentary; This mod is a result of the silly mandate by the FCC that no commercially manufactured HF linear amplifier be able to operate on the 24-30MHz frequencies without authorization.*

*This rule has never worked, and never will work to prevent these amps from being used on the 11-meter band. It only served as an inconvenience to the buyers and users, and an added expense to the manufacturers.*

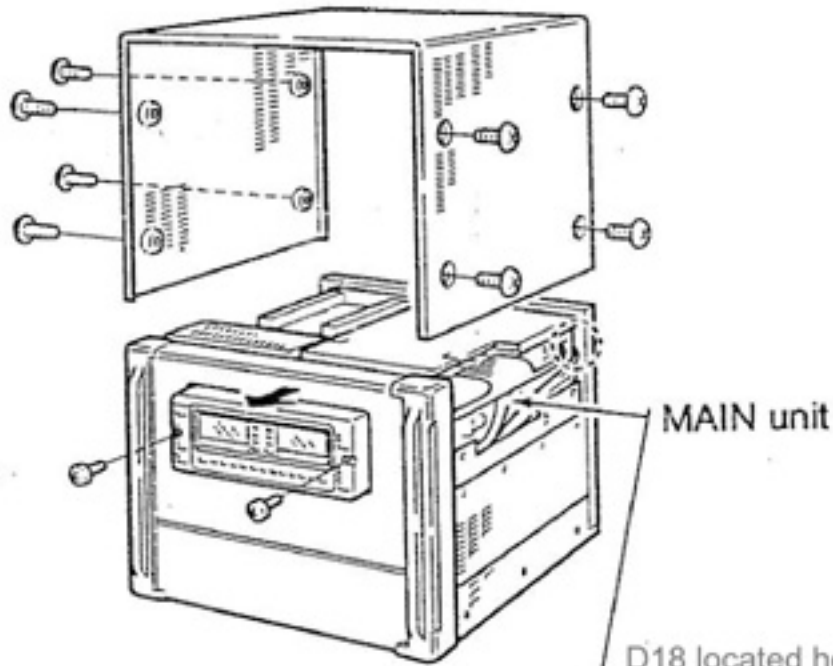
*I dare say that there are more amps on the 11-meter band than all the other HF ham bands combined.*

*It looks like the rule will soon be scrapped. It is about time!*

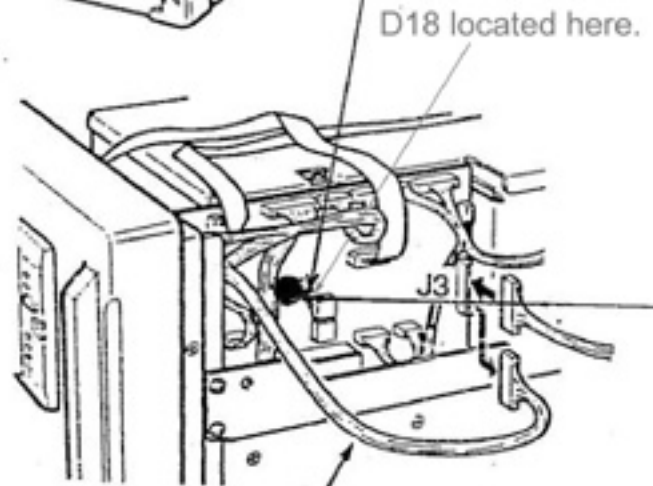
This section will explain how to do the modification to the PW1 in detail, with the aid of pictures & text.

Diode # D18 on the main board must be removed to enable 10/12 meter transmit in the PW1.

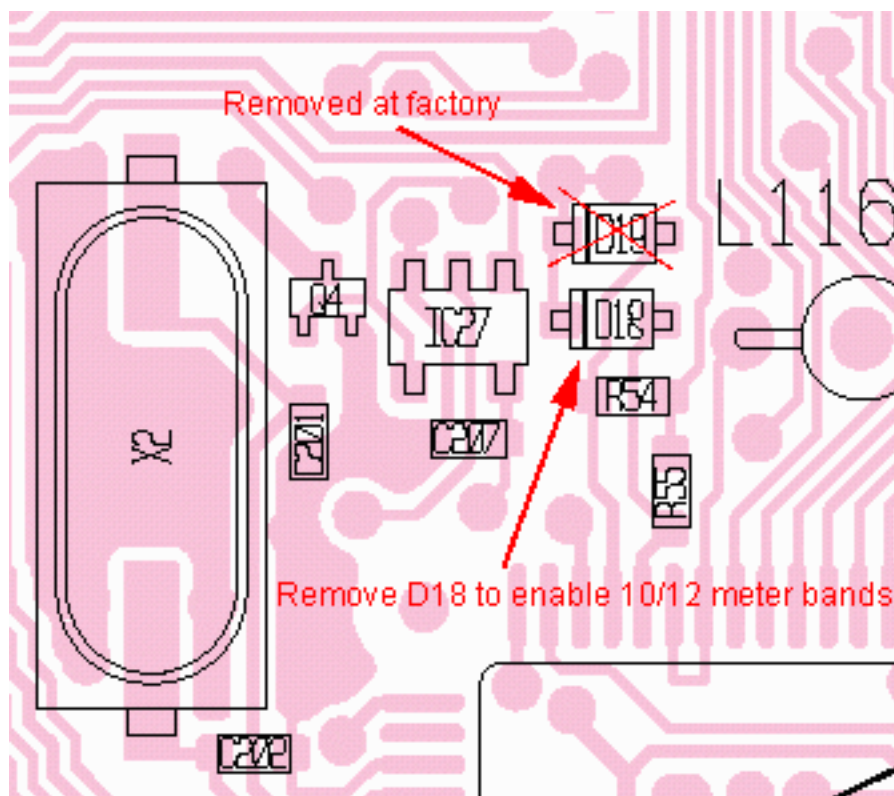
The main board is located on the right hand side of the PW1, when looking directly at the front face of the main unit, as seen in the graphic below.



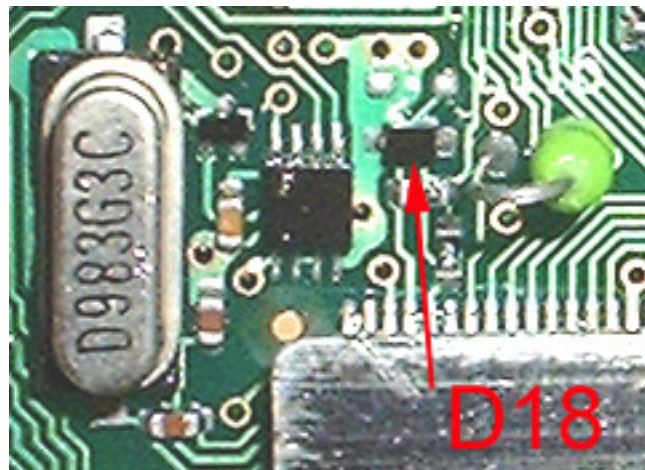
D18 located here.



Control cable



Above is a "blow-up" of the board layout from the PW1 service manual, which shows the exact location of D18, next to D19, which were only present in very early production units, but are now omitted at the factory.



Above is an actual photo of the main board area showing D18 in place. You will notice that the empty solder pads above D18 are where D19 would have been.

Care should be taken when removing D18, to not damage any traces on the circuit board. Use a fine tipped, low wattage soldering iron or hot-air

SMT gun, either way the unit should be ESD safe, to not possibly damage the delicate CMOS devices on the board.

The diode should not be removed by "cutting" through it with cutters. This is a brutish and crude way to do this modification it could do serious damage to the board and traces.

This diode will only be found in U.S. version of the PW1.